

T200 Thruster Specifications

Specification Table

Performance

Maximum Forward Thrust @ 16V	5.1 kgf	11.2 lbf
Maximum Reverse Thrust @ 16V	4.1 kgf	9.0 lbf
Maximum Forward Thrust @ 12V	3.55 kgf	7.8 lbf
Maximum Reverse Thrust @ 12V	3.0 kgf	6.6 lbf
Minimum Thrust	0.01 kgf	0.02 lbf
Rotational Speed	300-3800 rev/min	

Electrical

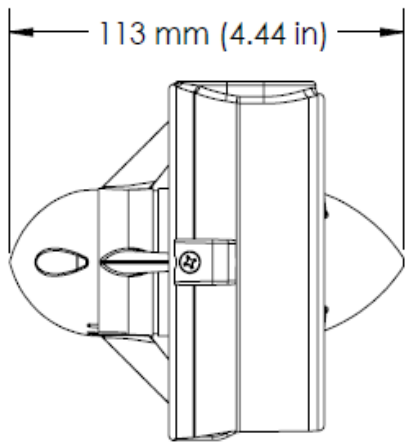
Operating Voltage	6-20 volts	
Max Current	25 Amps	
Max Power	350 Watts	
Phase Resistance	0.18 +/- 0.01 Ohms	
Phase Inductance (@ 1 kHz)	0.077 +/- 0.008 mH	

Physical

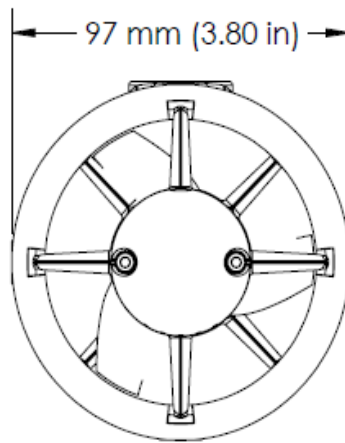
Length (without BlueESC)	113 mm	4.45 in
Length (with BlueESC)	131 mm	5.16 in
Diameter	100 mm	3.9 in
Weight in Air (with 1m cable)(without BlueESC)	0.76 lb	344 g
Weight in Air (with 1m cable)(with BlueESC)	0.93 lb	422 g
Weight in Water (with 1m cable)(without BlueESC)	0.34 lb	156 g
Weight in Water (with 1m cable)(with BlueESC)	0.46 lb	210 g
Propeller Diameter	76 mm	3.0 in
Mounting Hole Threads	M3 x 0.5	
Mounting Hole Spacing	19 mm	0.75 in
Cable Length	1.0 m	39 in
Cable Diameter	6.3 mm	0.25 in

Dimensions

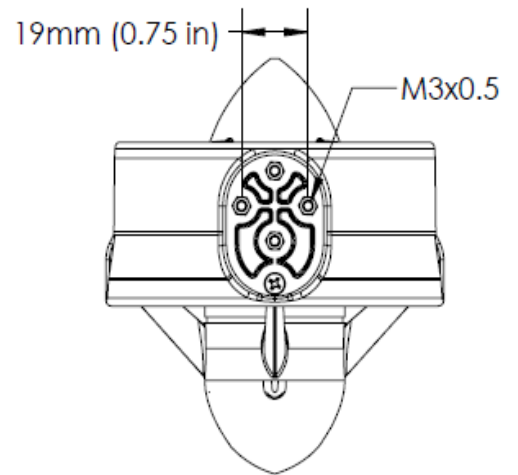
T200 Thruster (without BlueESC)



Side

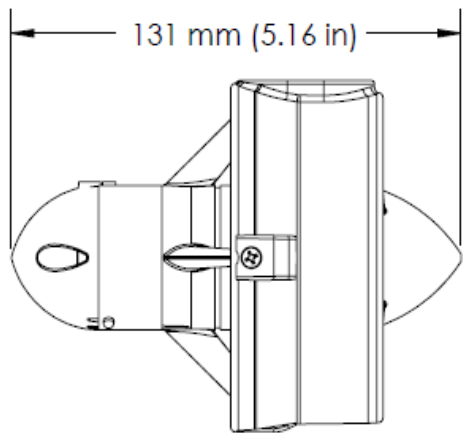


Front

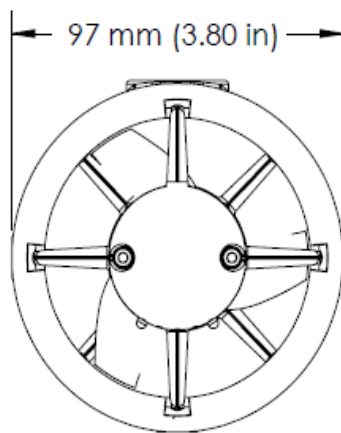


Top

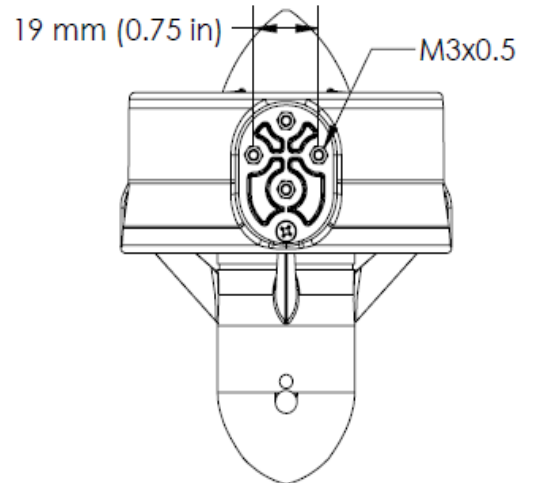
T200 Thruster with BlueESC



Side



Front



Top